



IMBERA G3-19 Spare Parts Manual





FOR 2013-2017 R134 Models

CONTENT

1. General assembly
2. Evaporator Unit
3. Condenser Unit
4. Door assembly
5. Wiring Diagrams

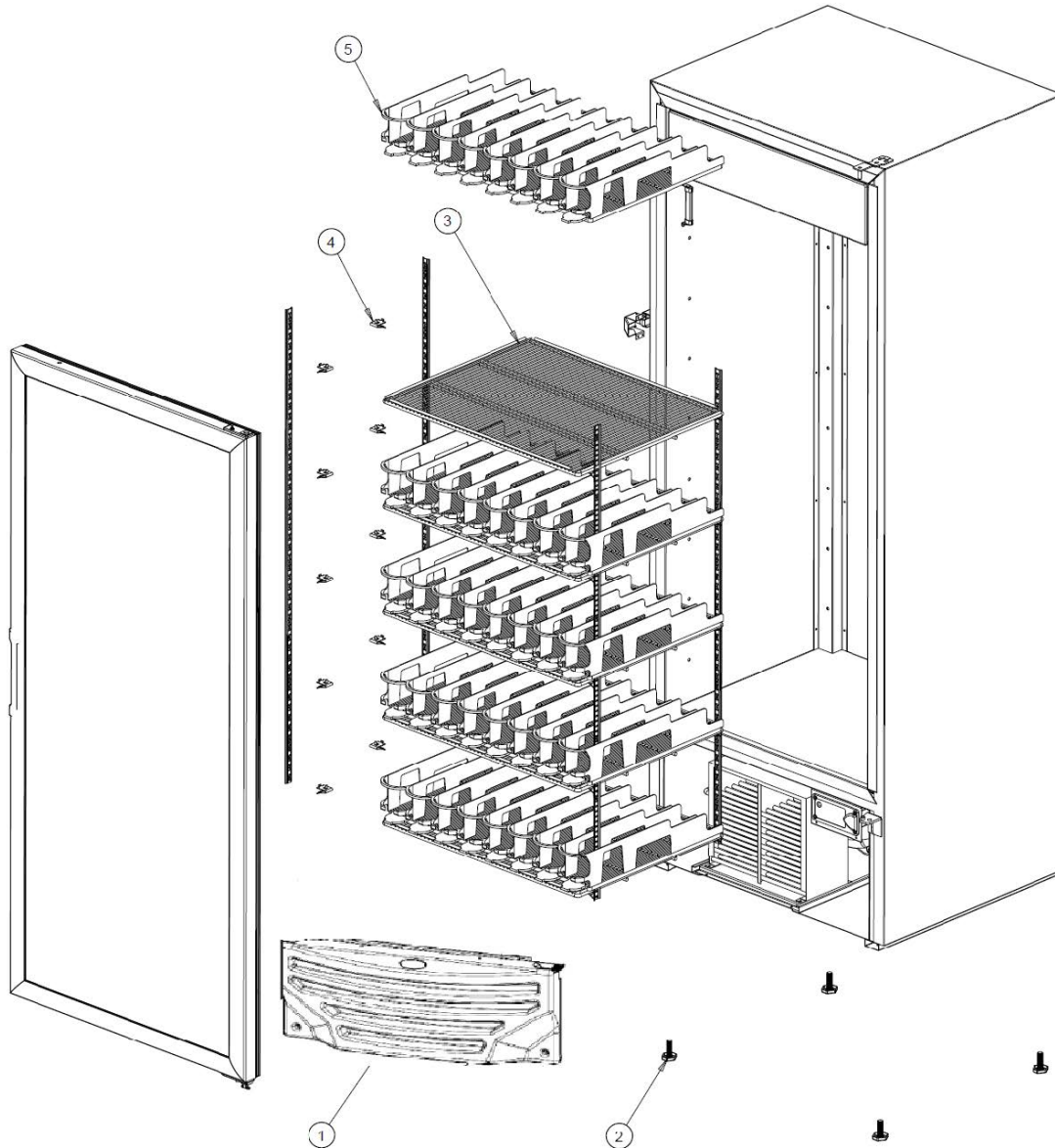
East Coast Tech Support

Terry Hill
Field Service Support Supervisor
(678)293-8305 -Office
(267)254-6904 CELL
Terry.Hill@ImberaCooling.com

West Coast Tech Support

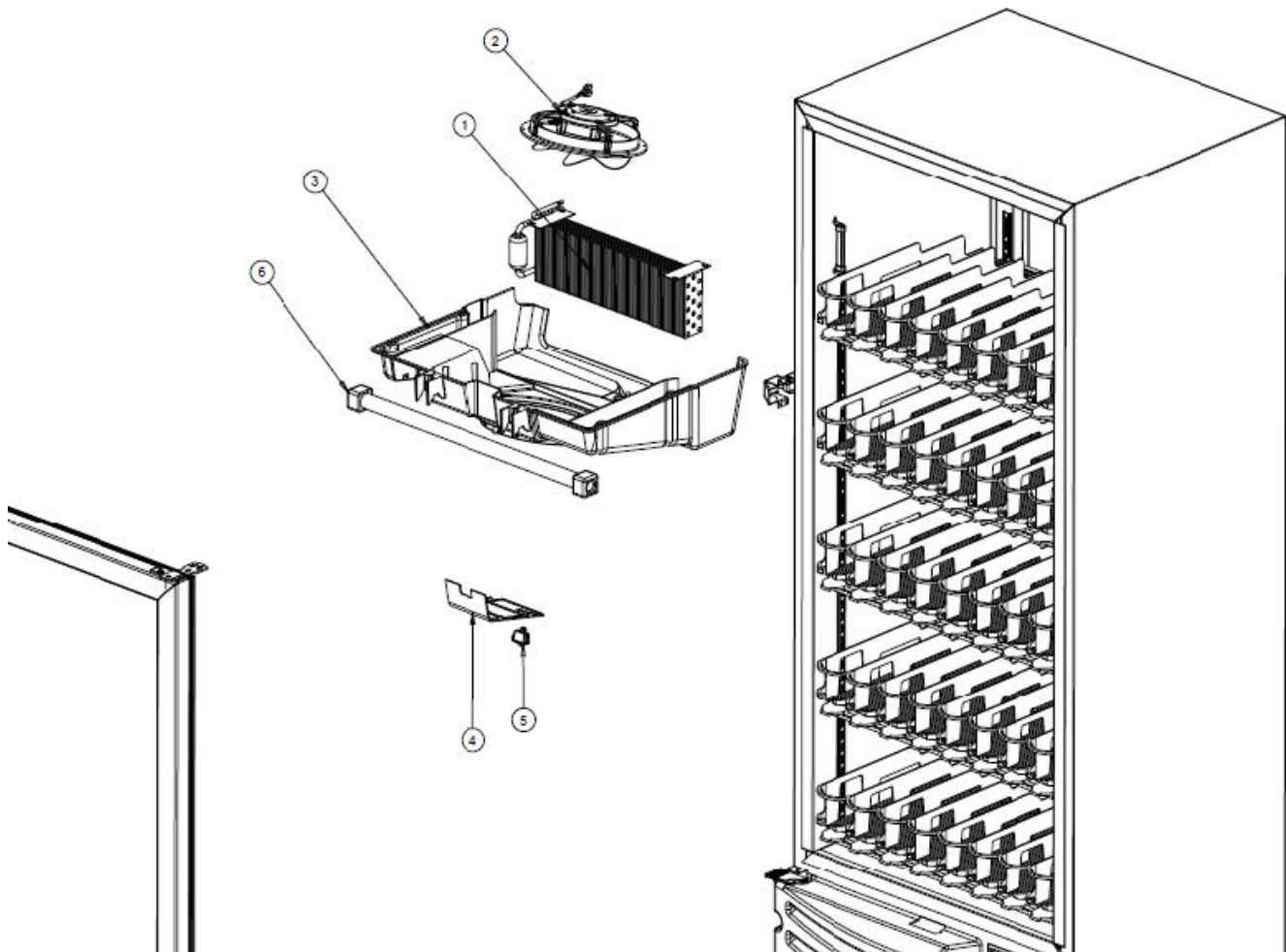
Cesar Castillo
Field Service Engineer, West Coast
1-559-299-1083 Office
1-559-326-9177 Cell
Cesar.castillosantizo@imberacooling.com

1. General assembly



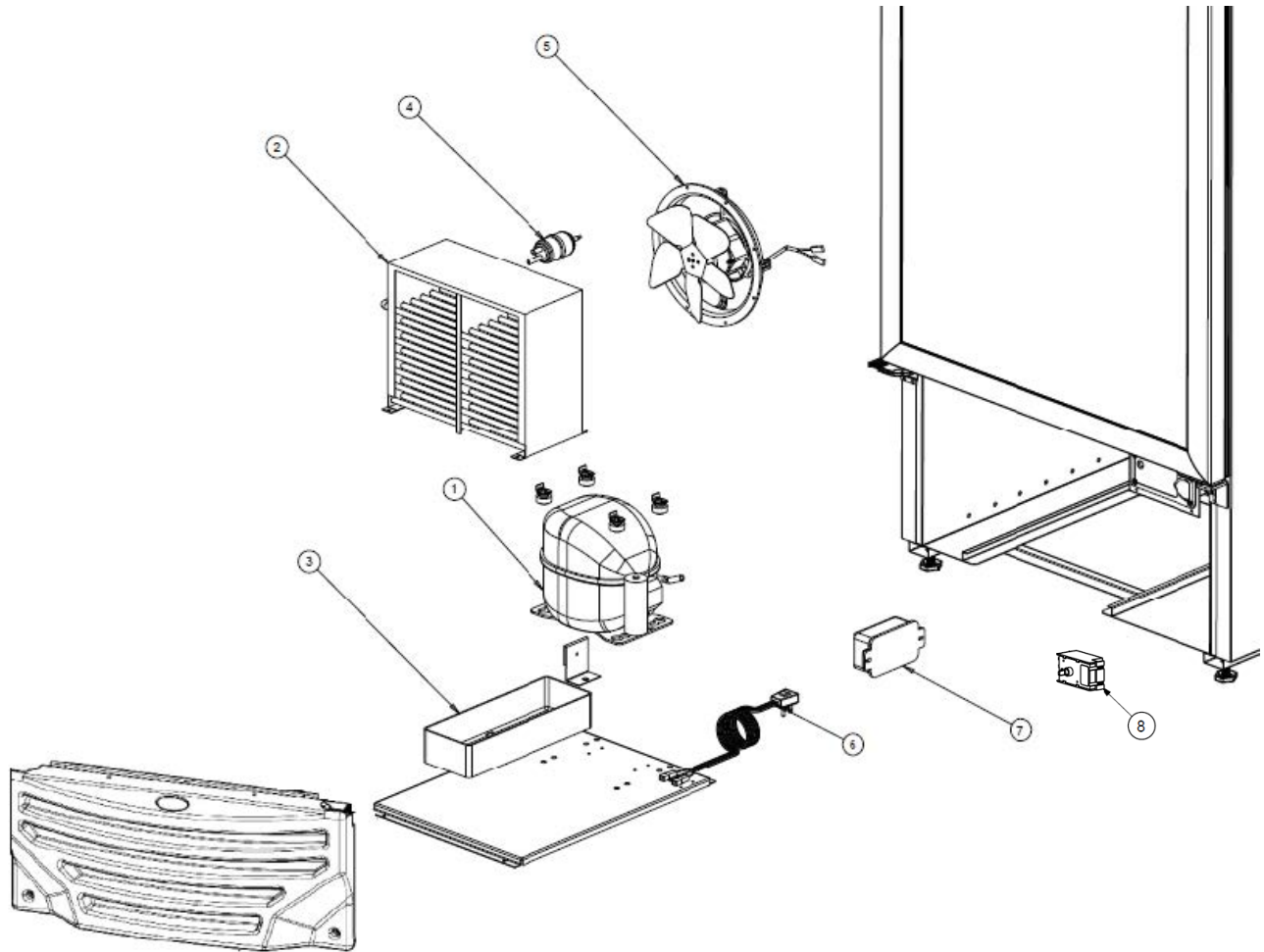
Item	Part #	Description
1	2016770	FRONT GRILL
2	2016557	LEVELING FOOT
3	2022624	SHELF G3-19
4	2029837	SHELF CLIP (PACK OF 4)
5	2033141	VISISLIDE KIT

2. Evaporator Unit



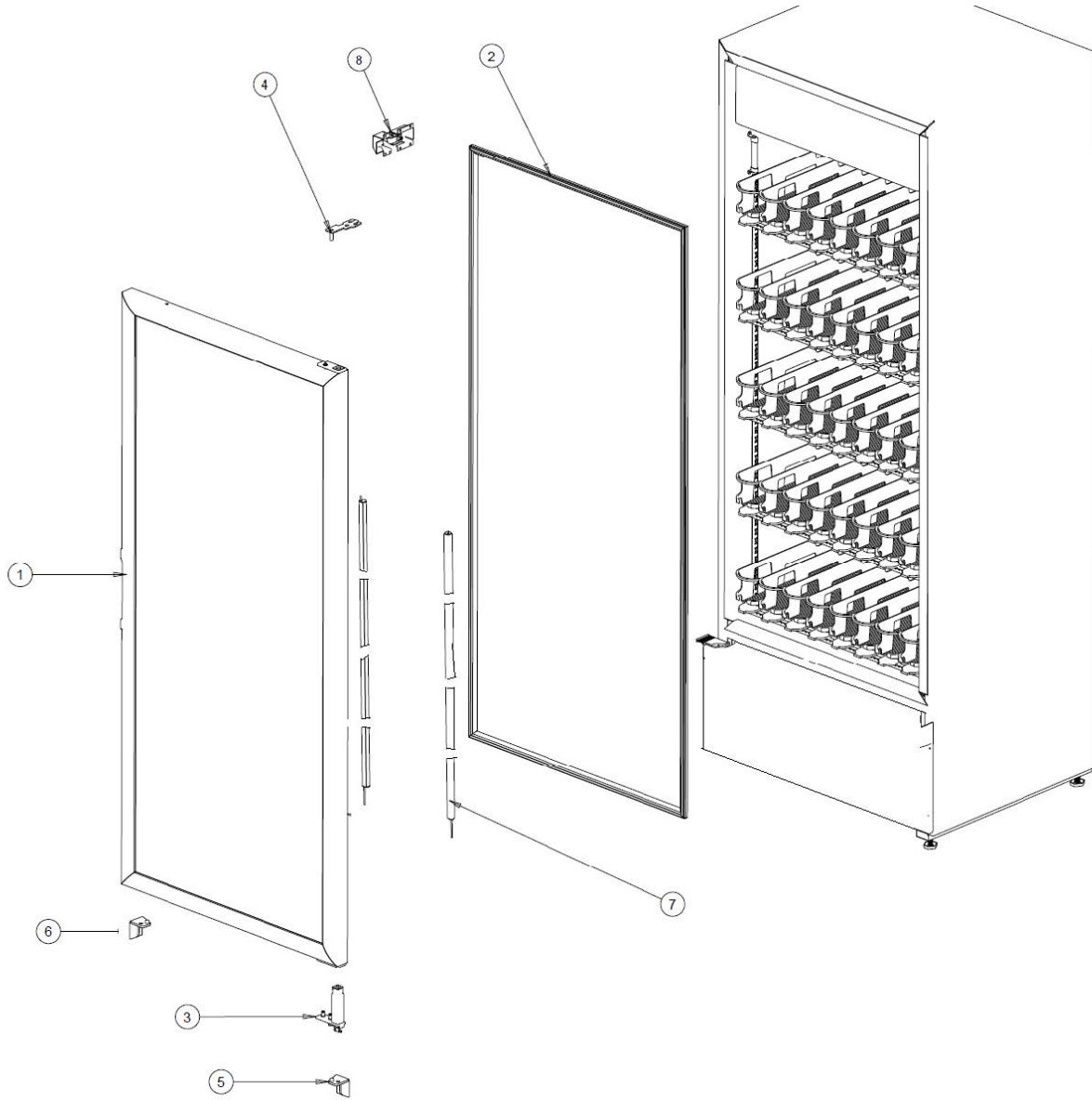
Item	Part #	Description
1	2022631	EVAPORATOR COIL G319 V10
2	2022630	EVAPORATOR*CONDENSER FAN MOTOR G319 V10
3	2016772	EVAPORATOR HOUSING G313*19
4	2016586	EVAPORATOR HOUSING COVER G313*19
5	2016558	SWITCH ROCKER BLACK
6	2028800 (2014 earlier)2046830(2015+)	HEADER LED LAMP G313*19*42
7	2022621	CAP TUBE G319 UL V10

3. Condenser Unit



Item	Part #	Description
1	2032582	COMPRESSOR G319
2	2022629	CONDENSER COIL G319 UL V10
3	2017314	CONDENSATE WATER PAN PLASTIC G342
4	2055229	FILTER DRIER VAL22TDV
5	2022630	EVAPORATOR*CONDENSER FAN MOTOR G319
6	2016559	V10 POWERCORD 15 AMP 10 FT
7	2024697	LED DRIVER
8	2016547	ELECTR TEMP CONTROL

4. Door



<i>Item</i>	<i>Part #</i>	<i>Description</i>
1	2022627 (2015 ealier) 2054221(2016+)	DOOR W/LED G319
2	2022626	DOOR GASKET G319
3	2043365	SELF CLOSING HINGE
4	2016574	TOP HINGE
5	2022622	BOTTOM DOOR HINGE
6	2024703	LEFT HAND BOTTOMDOOR HINGE
7	2024699	DOOR LEDS(PACK OF 4)
8	2016585	LOCK KIT SINGLE DR

5. Wiring Diagram

