



Parts Manual

Imbera VR 06



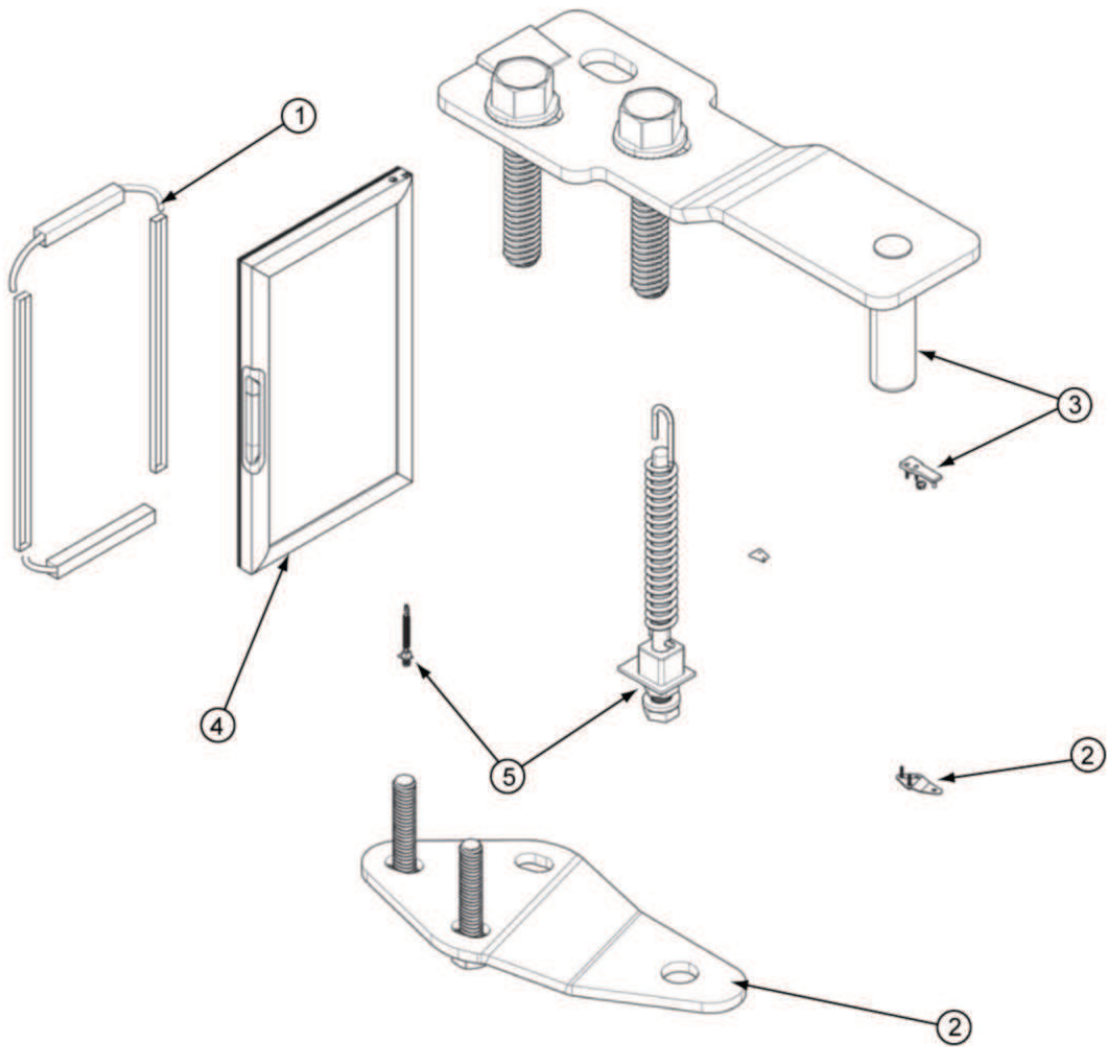
East Coast Tech Support

Terry Hill
Field Service Support Supervisor
(678)293-8305 -Office
(267)254-6904 CELL
Terry.Hill@ImberaCooling.com

West Coast Tech Support

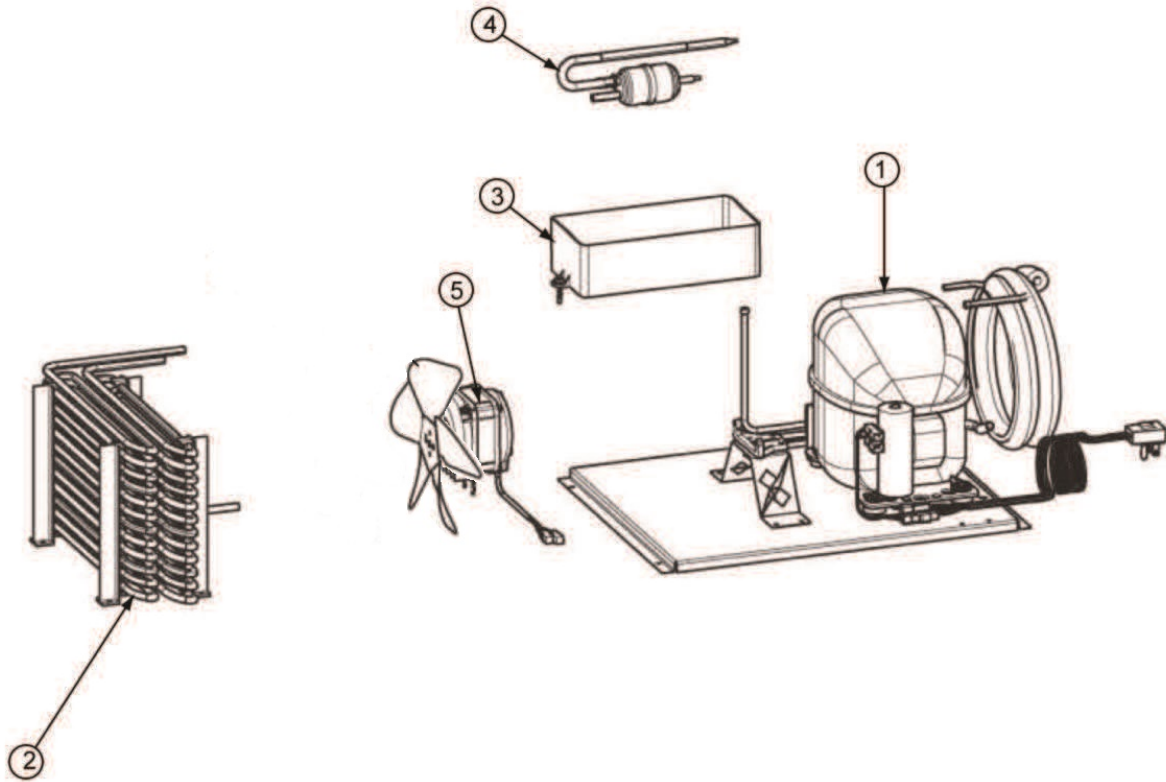
Cesar Castillo
Field Service Engineer, West Coast
1-559-299-1083 Office
1-559-326-9177 Cell
Cesar.castillosantizo@imberacooling.com

DOOR ASSEMBLY



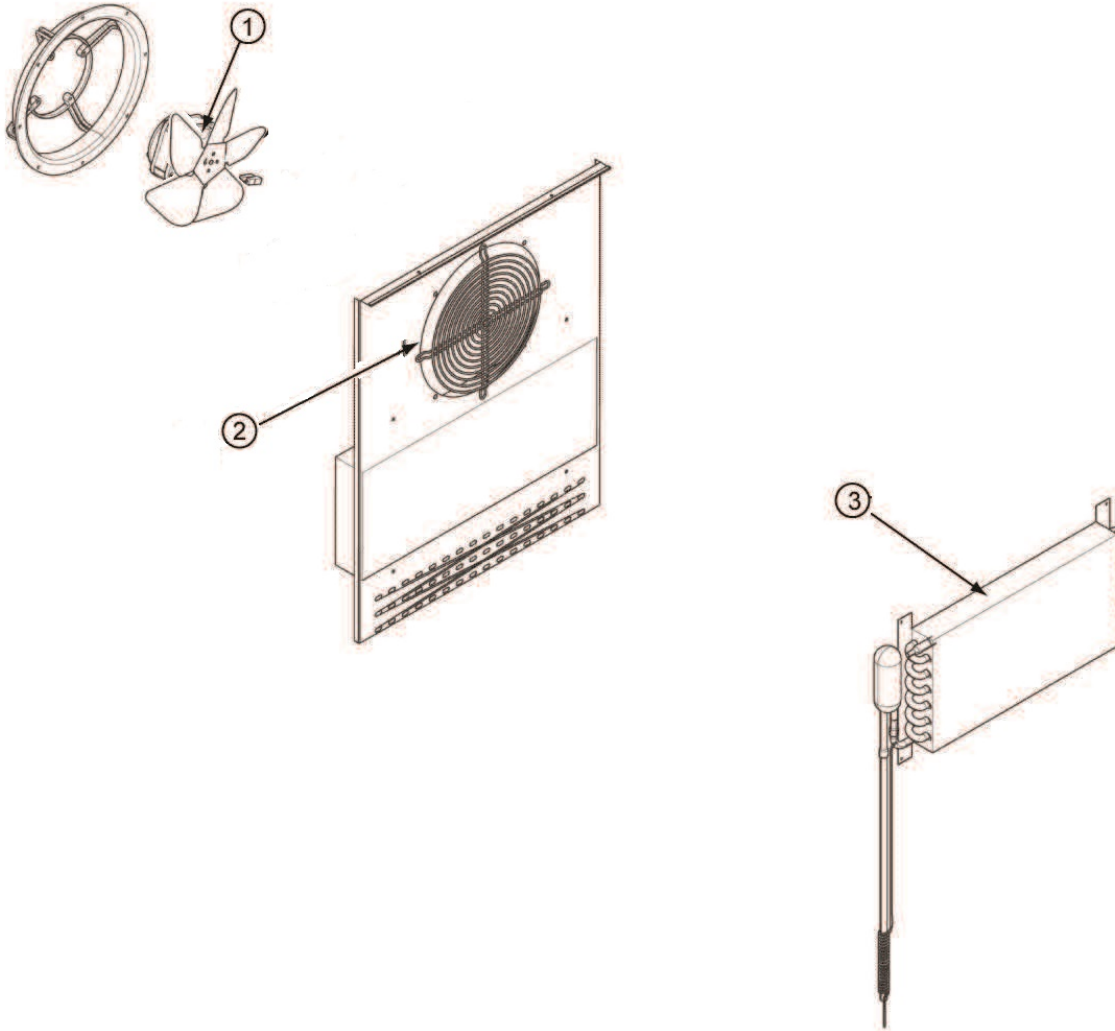
Item No.	Part #	Description
1	2017768	LAMP,LED,VR06
2	2017763	HINGE,BTM,VR06
3	2016574	HINGE,TOP,LEFT/RIGHT,VR10
4	2017769	DOOR,W/LED,VR06
5	2016550	HINGE,SELF,CLOSING, RIGHT

CONDENSER UNIT



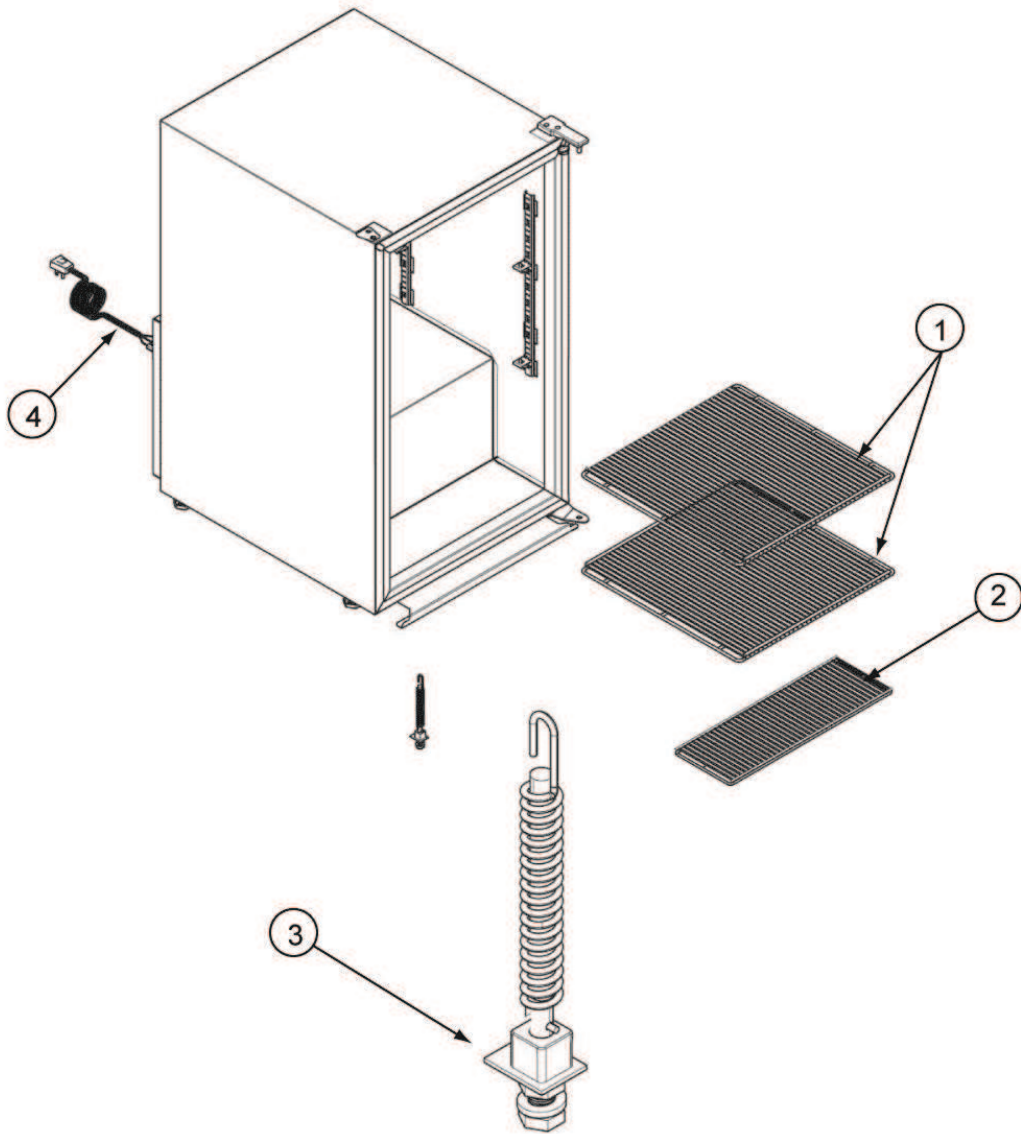
Item No.	Mfg. Part#	Description
1	2017300	COMPRESSOR,TTE4F,VR10
2	2020647	VR06 CONDENSER COIL
3	2017764	PAN,CONDENSATE,VR06
4	2055229	DRIER,FILTER,VAL22TDV
5	2017761	MOTOR,FAN,EVAP/CONDENSER,VR06/10
NOT SHOWN	2016584	LED DRIVER

EVAPORATOR



Item No.	Part#	Description
1	2017761	MOTOR,FAN,EVAP/CONDENSER,VR06/10
2	2020648	VR06 FAN GRILL
3	2017765	COIL,EVAPORATOR,VR06
Not Shown	2016547	Temp control

ACCESSORIES



Item No.	Part#	Description
1	2017766	SHELF,TOP,VR06
2	2017767	SHELF,BOTTOM,VR06
3	2016556	HINGE,SELF,CLOSING,LEFT
4	2016559	CORD,POWER,15A 10FT
5	2016558	SWITCH,ROCKER,BLACK

